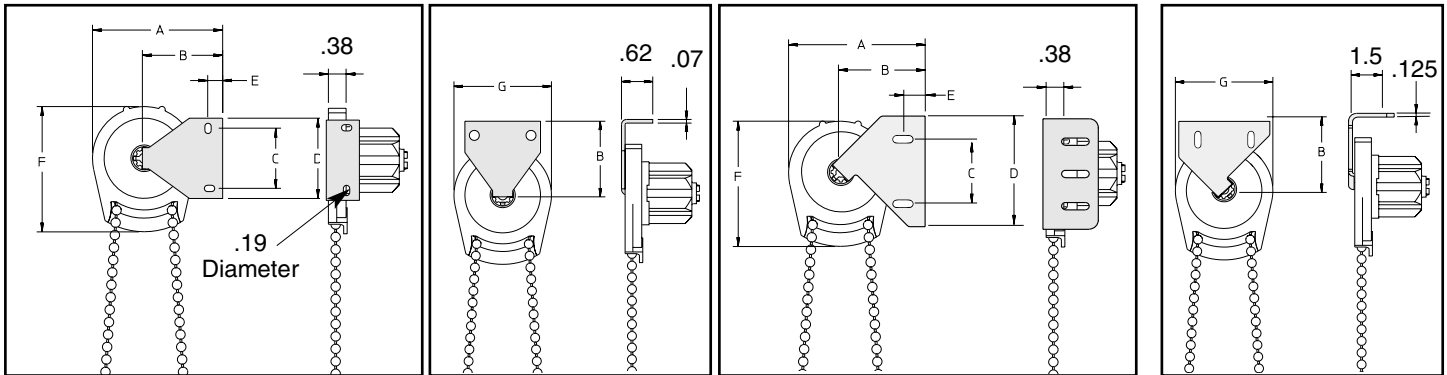


The R-Series manual system is the contract grade roller shade system from Skyco Shading Systems featuring unparalleled reliability. Shades stay exactly where you want them due to the advanced clutch mechanism. Adjacent shades are easily set to matching levels when used with the Link System. Heavy shades operate with ease when used with the R-Series Spring Assist.

*dimensions in inches



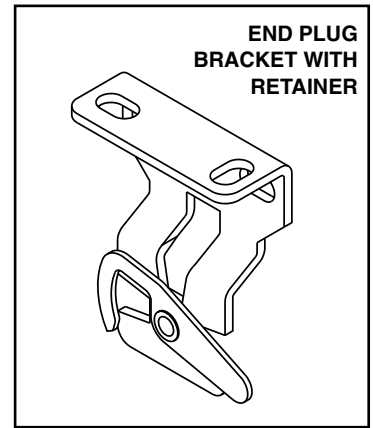
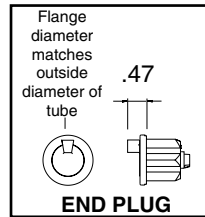
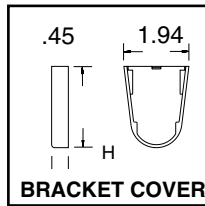
**360/380/560/580 BRACKET
WALL or INSIDE MOUNT**

**360/380/560/580 BRACKET
CEILING MOUNT**

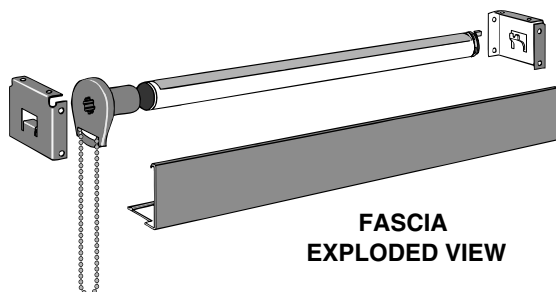
**RBGAL BRACKET
WALL or INSIDE MOUNT**

**RBGAL BRACKET
CEILING MOUNT**

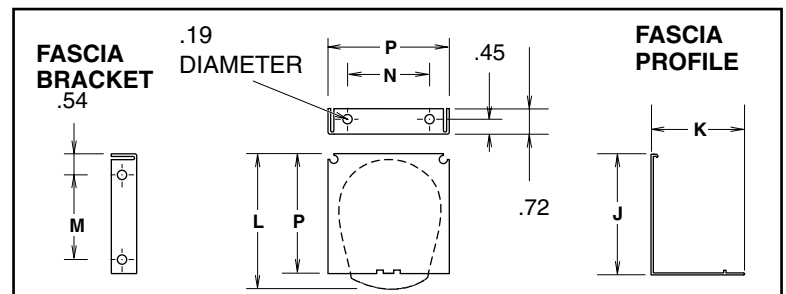
CLUTCH MODEL	BRACKET MODEL	A	B	C	D	E	F	G	H
R3	360	2.24	1.5	1.06	1.5	0.28	1.82	1.48	2.19
	380	2.74	2.0	1.06	1.5	0.28	1.82	1.48	2.70
R8	360	2.48	1.5	1.06	1.5	0.28	2.35	1.95	2.19
	380	2.98	2.0	1.06	1.5	0.28	2.35	1.95	2.70
R16	560	2.95	1.62	2.0	2.5	0.31	3.21	2.65	N/A
	580	3.45	2.12	2.0	2.5	0.31	3.21	2.65	N/A
	RBGAL	3.56	2.25	1.75	3.0	0.60	3.21	2.65	N/A
R24	580	3.91	2.12	2.0	2.5	0.31	4.29	3.58	N/A
	RBGAL	4.06	2.25	1.75	3.0	0.60	4.29	3.58	N/A



*dimensions in inches



FASCIA and BRACKET DIMENSIONS



CLUTCH MODEL	BRACKET MODEL	FASCIA HEIGHT	J	K	L	M	N	P
R16	561	3 IN	3.06	2.28	3.35	2.08	1.93	3.00
R24	581	4 IN	4.06	2.78	4.50	3.08	2.93	4.00

*dimensions in inches